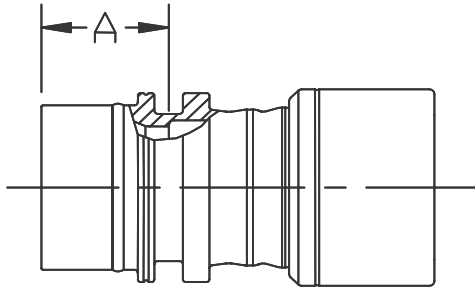
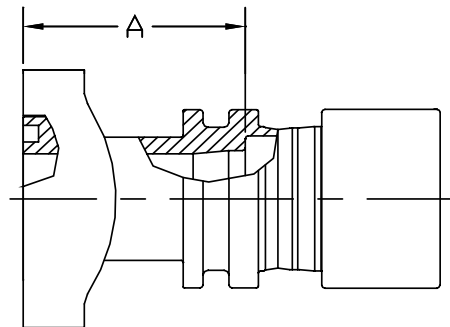


CN-700-CAP-PXX



National Stock #	Fitting Size PXX	Piece Number	Take - Out, A
	P04	9062242	0.67
	P06	9062243	0.77
	P08	9062244	0.77
	P12	9062245	0.77
	P16	9062246	0.80
	P20	9062247	0.85
	P24	9062248	0.85
	P32	9062249	0.92

CN-700-SAE61KIT-PXX



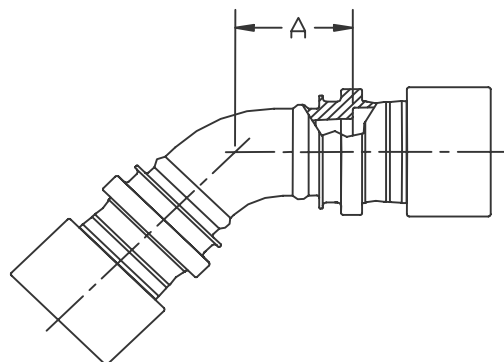
National Stock #	Fitting Size PXX	Piece Number	Take - Out, A
	P08	9062394	2.06
	P16	9062395	1.84

*Non LOKRING end conforms to SAE J518 code 61

Split flange, O-ring per SAE J120 and hardware included

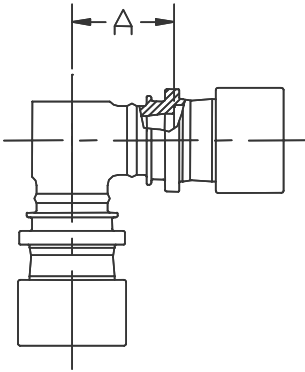
Split flange is made from stainless steel

CN-700-EL45-PXX



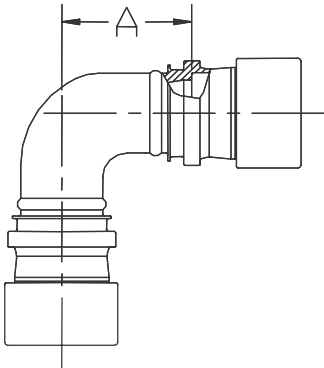
National Stock #	Fitting Size PXX	Piece Number	Take - Out, A
	P08	9062550	1.12
	P12	9062551	1.11
	P16	9062230	1.13
	P20	9062231	1.35
	P24	9062232	1.63
	P32	9062233	1.98

CN-700-EL90-PXX (SR)



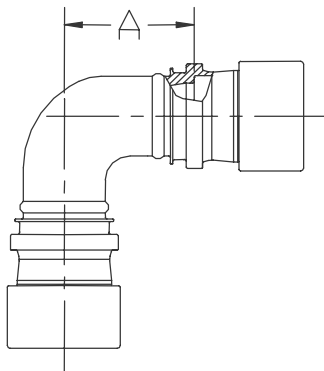
National Stock #	Fitting Size PXX	Piece Number	Take - Out, A
	P04	9062218	0.99
	P06	9062219	1.09
	P08	9062220	1.17

CN-700-EL90-PXX (SR)



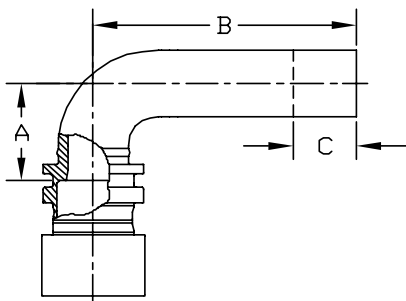
National Stock #	Fitting Size PXX	Piece Number	Take - Out, A
	P12	9062221	1.48
	P16	9062223	1.51
	P20	9062225	1.76
	P24	9062227	2.01
	P32	9062229	2.51

CN-700-EL90-PXX (LR)



National Stock #	Fitting Size PXX	Piece Number	Take - Out, A
	P16	9062222	2.01
	P20	9062224	2.45
	P24	9062226	2.95
	P32	9062228	3.73

CN-700-SEL90-PXX (Short & Long Rad.)



National Stock #	Fitting Size PXX	Piece Number	Take - Out, A	Take - Out, B	C*
	P16 (SR)	consult LOKRING	1.51	10.14	7.00
	P16 (LR)	consult LOKRING	2.01	10.64	7.00
	P20 (LR)	consult LOKRING	2.45	11.03	6.40
	P24 (SR)	consult LOKRING	2.01	10.59	6.00

*C - Maximum cut on pipe end