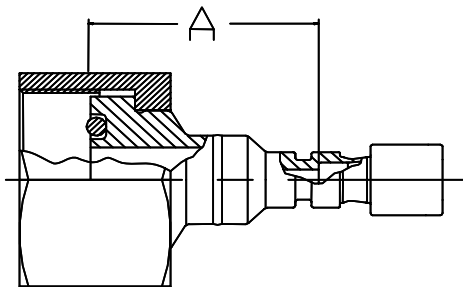


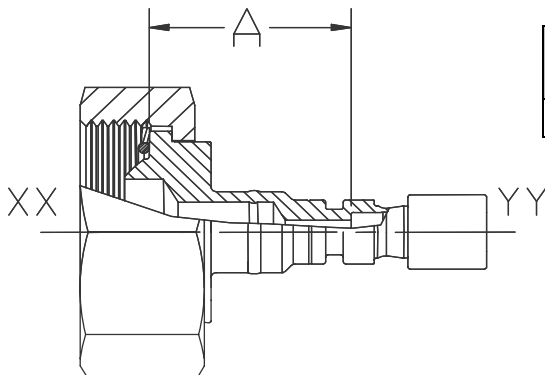
**CN-3300-RUTAIL-XX NPS-TXX**



Fitting Size XX NPS-TXX	Piece Number	Take - Out, A	Across Flats	Thread
1/2 NPS T04	9062186	1.04	2.00	1-3/4 - 12 UN

\*6000# wog Union to Navy dwg 803-1385884

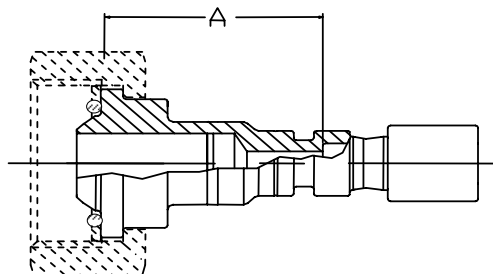
**CN-3300-1183 RUTAIL-PXX-TYY**



Fitting Size PXX-TXX	Piece Number	Take - Out, A	Thread
P08-T04	9062569	1.29	1.491 - 14 UNS

Seal face conforms to MIL-F-1183

**CN-3300-1183 RUTAIL-PXX-TYY**

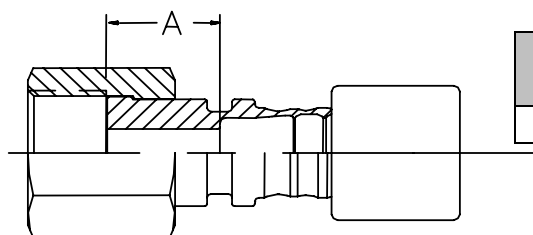


Fitting Size PXX-TXX	Piece Number	Take - Out, A
P04-T04	9062139	1.30

\*Nut, O-ring, and backup washer supplied by customer

\*Sealing face complies to MIL-F-1183

**CN-3300-UTFF-TXX**



Fitting Size TXX	Piece Number	Take - Out, A	Across Flats	Thread
T04	9062253	0.49	0.68	9/16 - 18 UNF