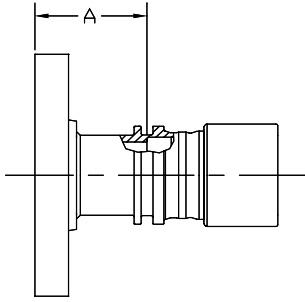


CN-200-FLNG150-FF-PXX



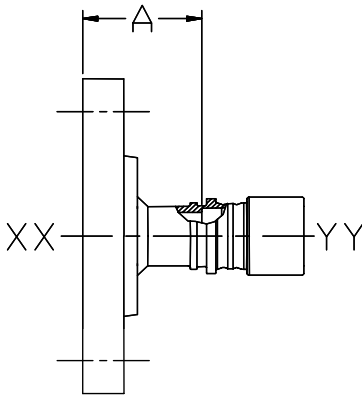
National Stock #	Fitting Size PXX	Piece Number	Take - Out, A
	P08	9062179	1.71
	P12	9062180	1.79
	P16	9062181	1.86
	P20	9062182	1.95
	P24	9062387	2.03
	P32	9062388	2.14

*Flange conforms to ASTM B16.5 for class 150

Flat face socket weld

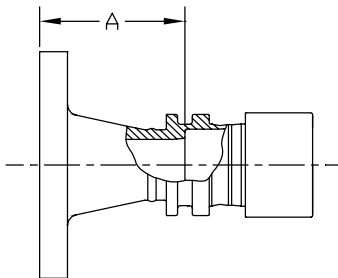
*9062179 has raised face

CN-200-RFLNG150-FF-PXX-PYY



National Stock #	Fitting Size PXX-PYY	Piece Number	Take - Out, A
	P32-P12	9062679	2.17
	P32-P16	9062678	2.17

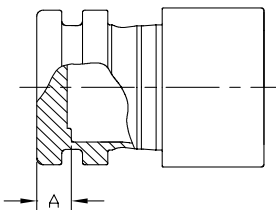
CN-200-FLNG-PXX (250#)



National Stock #	Fitting Size PXX	Piece Number	Take - Out, A
	P04	9060538	1.53
	P06	9060531	1.59
	P08	9060465	1.65
	P12	9060508	1.67
	P16	9060448	1.81
	P20	9060560	2.04
	P24	9060553	2.17
	P32	9060413	2.19

*Flange conforms to MIL-F-20042D

CN-200-CAP-PXX



National Stock #	Fitting Size PXX	Piece Number	Take - Out, A
	P04	9061312	0.67
	P06	9061313	0.67
	P08	9061314	0.67
	P12	9061315	0.69
	P16	9061316	0.70
	P20	9063117	0.74
	P24	9061318	0.75
	P32	9061319	0.77