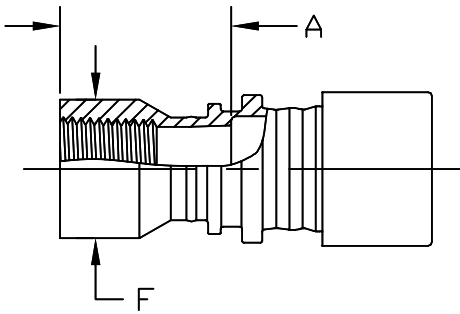


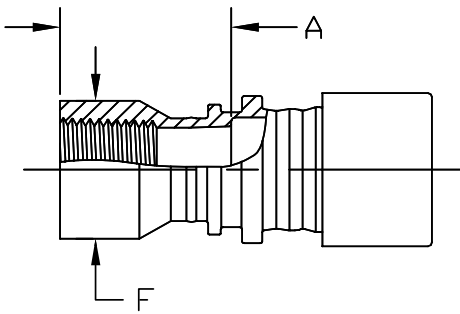
CN-200-ADPT-PXX-YY FPT



National Stock #	Fitting Size PXX-YY FPT	Piece Number	Take - Out, A	Across Flats, F	Thread NPT
	P04-1/4"	9061277	0.78	0.69	1/4-18
4730-01-417-8917	P08-1/2"	9060588	0.97	1.00	1/2-14
	P12-3/4"	9061149	0.97	1.13	3/4-14
	P16-1"	9062146	1.98	1.69	1-11.5

*Threaded end conforms to female NPT thread

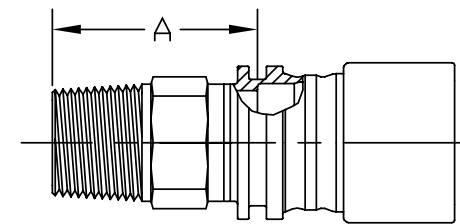
CN-200-RADPT-PXX-YY FPT



National Stock #	Fitting Size PXX-YY FPT	Piece Number	Take - Out, A	Across Flats, F	Thread NPT
4730-01-417-8921	P12-1/2"	9060612	0.85	1.25	1/2-14
4730-01-417-9064	P16-1/2"	9060950	1.04	1.13	1/2-14
	P24-1/2"	9062269	1.42	1.50	1/2-14

*Threaded end conforms to female NPT thread

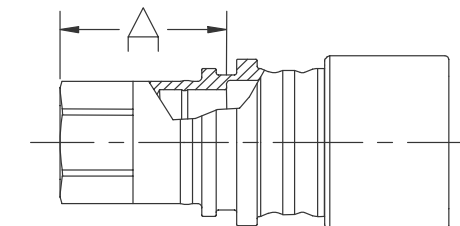
CN-200-ADPT-PXX-XXMPT



National Stock #	Fitting Size PXX-XXMPT	Piece Number	Take - Out, A	Across Flats	Thread NPT
	P04-1/4	9061907	1.49	0.63	1/4-18
	P16-1	9062147	2.25	1.37	1-11.5

*Threaded end conforms to male NPT thread

CN-200-ADPT-PXX-YY SAE

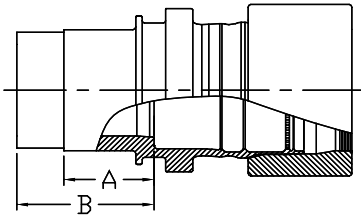


National Stock #	Fitting Size PXX-YY SAE	Piece Number	Take - Out, A	Across Flats	Thread
	P04-0.375	9062537	1.77	0.94	9/16-18 UNF-2B
	P12-0.375	9062536	1.40	0.94	9/16-18 UNF-2B

*Threaded end conforms to SAE J1926/1

(O-ring straight threaded adapter)

CN-200-ADPT-PXX-YY NPS

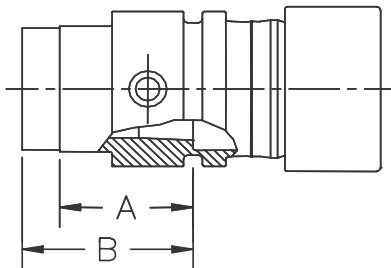


National Stock #	Fitting Size PXX-YY NPS	Piece Number	Take - Out, A	Take - Out, B
	P24-1 1/2	9062205	1.95	2.51

*Non LOKRING™ end made to match up with socket weld adapter

CN-200-VADPT-PXX-YY NPS

[VENTED SOCKET WELD ADAPTER]

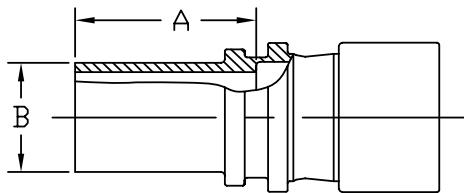


National Stock #	Fitting Size PXX-YY NPS	Piece Number	Take - Out, A	Take - Out, B
	P24-1 1/2	9062203	1.95	2.51

*Non LOKRING™ end made to match up with socket weld adapter

*Cross hole sized for 1/4 Class 200 nipple

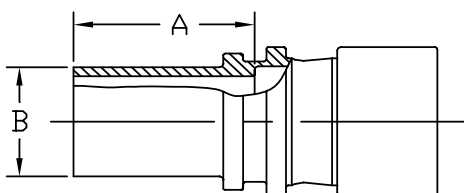
CN-200-ADPT-PXX-YY OD STUB



National Stock #	Fitting Size PXX-YY OD	Piece Number	Take - Out, A	Dia, B
	P04-1/4	9061885	1.84	0.25

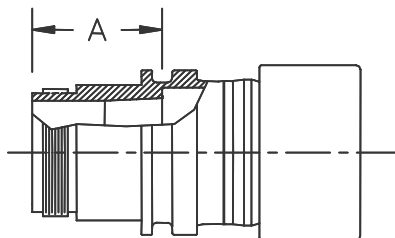
CN-200-ADPT-PXX-YY OD STUB (70-30)

[STUB END IS 70/30 COPPER-NICKEL]



National Stock #	Fitting Size PXX-YY OD	Piece Number	Take - Out, A	Dia, B
	P04-1/4	9062131	1.84	0.25
	P08-1/4	9062132	1.84	0.25

CN-200-ADPT-PXX-YY HOSE

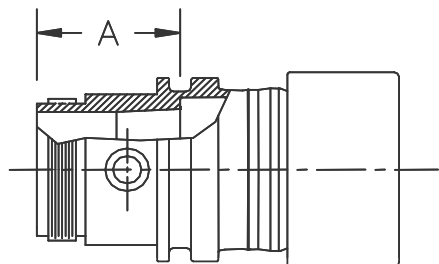


National Stock #	Fitting Size TXX-YY HOSE	Piece Number	Take - Out, A	Thread
	P24-1/2	9061810	1.80	1 1/2-11 1/2 NPSH

*Thread conforms to ANSI B2.4

CN-200-VADPT-PXX-YY HOSE

[VENTED HOSE ADAPTER]

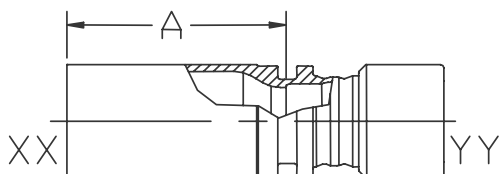


National Stock #	Fitting Size TXX-YY HOSE	Piece Number	Take - Out, A	Thread
	P24-1/2	9061882	1.80	1 1/2-11 1/2 NPSH

*Cross hole sized for 1/4 Class 200 nipple

*Thread conforms to ANSI B2.4

CN-200-REDB-PXX-PYY



National Stock #	Fitting Size PXX-PYY	Piece Number	Take - Out, A
4730-01-382-9070	P06-P04	9060539	2.19
4730-01-382-9071	P08-P04	9060540	1.99
4730-01-382-9086	P08-P06	9060532	2.23
4730-01-382-9087	P12-P06	9060533	2.37
4730-01-382-9088	P12-P08	9060468	2.90
4730-01-382-9090	P16-P08	9060469	2.71
4730-01-382-9097	P16-P12	9060509	3.18
4730-01-382-9100	P20-P12	9060510	3.34
4730-01-382-9101	P20-P16	9060449	3.41
4730-01-382-9102	P24-P16	9060450	4.02
4730-01-382-9105	P24-P20	9060561	3.87
	P32-P16	9061802	4.16
4730-01-382-9106	P32-P20	9060642	4.60
4730-01-382-9107	P32-P24	9060643	3.80