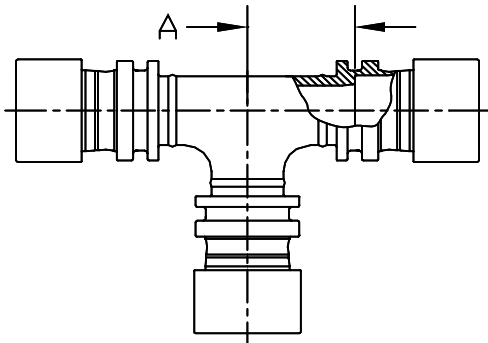
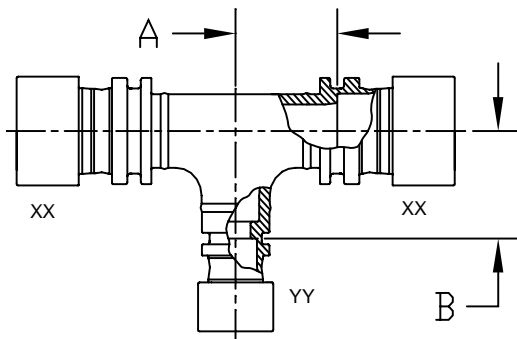


CN-200-TEE-PXX



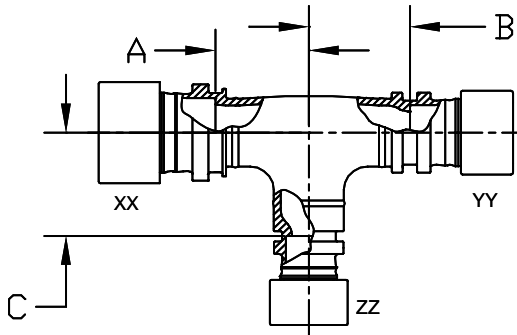
National Stock #	Fitting Size PXX	Piece Number	Take - Out, A
4730-01-364-8703	P04	9061262	0.99
4730-01-364-8704	P06	9061263	0.92
4730-01-364-4408	P08	9061155	1.09
4730-01-364-8705	P12	9061156	1.19
4730-01-364-8707	P16	9060451	1.51
4730-01-364-8708	P20	9060563	1.90
4730-01-364-8709	P24	9060555	2.27
4730-01-364-4409	P32	9060398	2.52

CN-200-RTEE-PXX-PYY



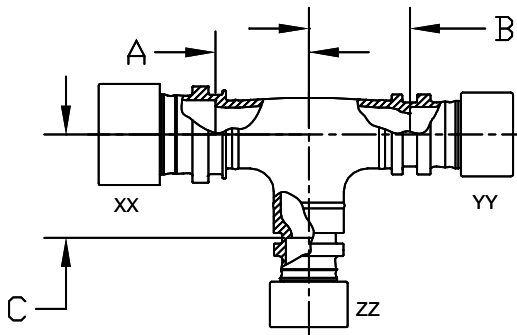
National Stock #	Fitting Size PXX-PYY	Piece Number	Take - Out, A	Take - Out, B
4730-01-417-8500	P06-P04	9061150	1.09	1.09
4730-01-417-8501	P08-P04	9061106	1.09	1.09
4730-01-417-8504	P08-P06	9061173	1.09	1.09
4730-01-417-6738	P12-P04	9061169	1.19	1.21
4730-01-417-6736	P12-P06	9061168	1.19	1.21
4730-01-417-6740	P12-P08	9060548	1.19	1.17
4730-01-417-6739	P16-P08	9060650	1.51	1.32
4730-01-417-6742	P16-P12	9060647	1.51	1.13
	P20-P04	9061625	1.89	1.88
4730-01-417-6741	P20-P08	9060660	1.88	1.49
4730-01-417-6745	P20-P12	9060646	1.88	1.30
4730-01-417-6743	P20-P16	9060626	1.88	1.68
4730-01-417-6744	P24-P08	9060601	2.26	1.61
4730-01-417-6747	P24-P12	9060614	2.26	1.42
4730-01-417-6746	P24-P16	9060627	2.26	1.79
4730-01-417-6750	P24-P20	9060649	2.26	1.48
4730-01-417-6751	P32-P08	9060661	2.51	1.85
4730-01-418-6575	P32-P12	9060648	2.51	1.67
4730-01-417-6749	P32-P16	9060628	2.51	2.03
4730-01-417-6752	P32-P20	9060629	2.51	2.20
4730-01-419-0517	P32-P24	9060985	2.51	2.01

CN-200-RRTEE-PXX-YY-ZZ



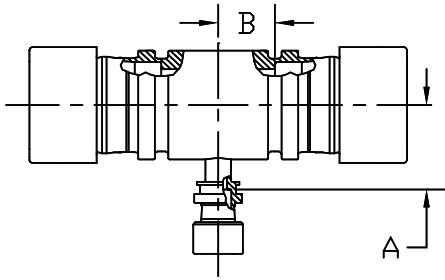
National Stock #	Fitting Size PXX-PYY-PZZ	Piece Number	Take - Out, A	Take - Out, B	Take - Out, C
4730-01-418-6552	P06-P04-P04	9061189	1.45	1.09	1.09
4730-01-418-6551	P06-P04-P06	9061188	1.45	1.09	1.45
	P08-P04-P08	9061105	1.09	1.09	1.09
	P08-P06-P05	9062502	1.09	1.09	1.09
4730-01-418-6553	P08-P06-P06	9061170	1.09	1.45	1.45
4730-01-418-4671	P08-P06-P08	9061171	1.09	1.45	1.09
	P12-P04-P12	9061804	1.19	1.56	1.19
4730-01-418-4672	P12-P08-P08	9061107	1.50	1.69	1.32
4730-01-418-4673	P12-P08-P12	9061172	1.19	1.17	1.19
	P12-P08-P16	9061626	1.50	1.69	1.14
4730-01-418-4674	P16-P08-P08	9061108	1.51	1.69	1.32
4730-01-418-4676	P16-P08-P12	9061120	1.51	1.69	1.13
4730-01-418-4675	P16-P08-P16	9061123	1.51	1.69	1.50
4730-01-418-4678	P16-P12-P08	9060993	1.51	1.50	1.32
4730-01-418-4677	P16-P12-P12	9060991	1.51	1.50	1.13
4730-01-418-4277	P16-P12-P16	9061124	1.51	1.50	1.50
	P20-P08-P16	9061624	1.89	2.71	1.32
	P20-P08-P20	9061627	1.89	2.71	1.37
4730-01-418-4275	P20-P12-P08	9061178	1.88	2.11	1.49
4730-01-418-4278	P20-P12-P12	9061125	1.88	2.11	1.30
4730-01-418-4279	P20-P12-P16	9061126	1.88	2.11	1.31
4730-01-418-4280	P20-P12-P20	9061127	1.88	2.11	1.89
4730-01-418-4281	P20-P16-P08	9060983	1.88	1.84	1.49
4730-01-417-9530	P20-P16-P12	9060990	1.88	1.84	1.30
4730-01-417-9531	P20-P16-P16	9060953	1.88	1.84	1.31
4730-01-417-9532	P20-P16-P20	9060657	1.88	1.84	1.89
	P20-P16-P24	9061278	2.26	2.80	2.27
4730-01-417-9534	P24-P08-P08	9061165	2.26	2.98	1.61
4730-01-417-9533	P24-P08-P12	9061204	2.26	2.98	1.42
4730-01-417-9535	P24-P08-P16	9061128	2.26	2.98	1.79
4730-01-417-9537	P24-P08-P20	9061163	2.26	2.98	1.48
4730-01-417-9536	P24-P08-P24	9061112	2.26	2.98	2.26
4730-01-417-9538	P24-P12-P08	9060599	2.26	2.79	1.61
4730-01-417-6754	P24-P12-P12	9060613	2.26	2.79	1.42
4730-01-417-6753	P24-P12-P16	9061158	2.26	2.79	1.79
4730-01-417-6755	P24-P12-P20	9061174	2.26	2.79	1.48
4730-01-418-4282	P24-P12-P24	9061129	2.26	2.79	2.26

CN-200-RRTEE-PXX-PYY-PZZ (continued)



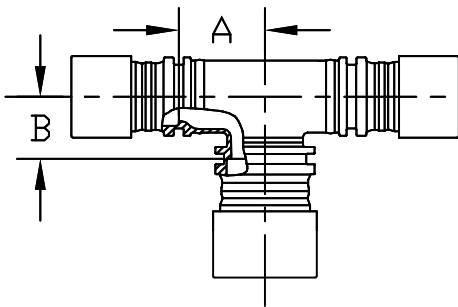
National Stock #	Fitting Size PXX-PYY-PZZ	Piece Number	Take - Out, A	Take - Out, B	Take - Out, C
4730-01-418-4283	P24-P16-P08	9061113	2.26	2.80	1.61
4730-01-418-4284	P24-P16-P12	9061179	2.26	2.80	1.42
4730-01-417-6757	P24-P16-P16	9061114	2.26	2.80	1.79
4730-01-417-6756	P24-P16-P20	9061175	2.26	2.80	1.48
4730-01-417-6759	P24-P16-P24	9061115	2.26	2.80	2.26
4730-01-417-6758	P24-P20-P08	9060989	2.26	2.25	1.61
4730-01-417-6761	P24-P20-P12	9060988	2.26	2.25	1.42
4730-01-417-6760	P24-P20-P16	9060955	2.26	2.25	1.79
4730-01-417-8502	P24-P20-P20	9061182	2.26	2.25	1.48
4730-01-417-8505	P24-P20-P24	9061130	2.26	2.25	2.26
4730-01-417-8506	P32-P12-P08	9061159	2.51	3.36	1.85
4730-01-417-8762	P32-P12-P12	9061157	2.51	3.36	1.66
4730-01-417-8770	P32-P12-P16	9061161	2.51	3.36	2.03
4730-01-417-8841	P32-P12-P20	9061162	2.51	3.36	2.20
4730-01-418-2144	P32-P12-P24	9061180	2.51	3.36	2.00
4730-01-418-2145	P32-P12-P32	9061116	2.51	3.36	2.51
4730-01-418-2146	P32-P16-P08	9061185	2.51	3.09	1.85
4730-01-418-4285	P32-P16-P12	9061015	2.51	3.09	1.66
4730-01-418-4286	P32-P16-P16	9061186	2.51	3.09	2.03
4730-01-418-4287	P32-P16-P20	9061187	2.51	3.09	2.20
4730-01-418-2147	P32-P16-P24	9061184	2.51	3.09	2.00
4730-01-418-2148	P32-P16-P32	9061131	2.51	3.09	2.51
4730-01-418-2149	P32-P20-P08	9061183	2.51	2.92	1.85
4730-01-418-7097	P32-P20-P12	9061176	2.51	2.92	1.66
4730-01-418-7099	P32-P20-P16	9061201	2.51	2.92	2.03
4730-01-418-7098	P32-P20-P20	9061177	2.51	2.92	2.20
4730-01-418-3555	P32-P20-P24	9061132	2.51	2.92	2.00
4730-01-418-3556	P32-P20-P32	9061181	2.51	2.92	2.51
4730-01-418-3557	P32-P24-P08	9060986	2.51	2.73	1.85
4730-01-418-6554	P32-P24-P12	9060987	2.51	2.73	1.66
4730-01-418-6555	P32-P24-P16	9061117	2.51	2.73	2.03
4730-01-418-6556	P32-P24-P20	9060984	2.51	2.73	2.20
4730-01-418-6557	P32-P24-P24	9061118	2.51	2.73	2.00
4730-01-418-4679	P32-P24-P32	9060954	2.51	2.73	2.51

CN-200-DTEE-PXX-PYY



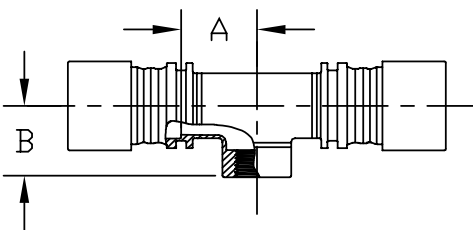
National Stock #	Fitting Size PXX-PYY	Piece Number	Take - Out, A	Take - Out, B
	P24 - P06	9062580	1.75	1.13

CN-200-OBTEE-PXX-PYY



National Stock #	Fitting Size PXX-PYY	Piece Number	Take - Out, A	Take - Out, B
	P06-P08	9061631	1.09	1.09
	P08-P12	9061629	1.17	1.19
	P08-P16	9061623	1.69	1.14
	P12-P16	9061202	1.50	1.50
	P16-P20	9061136	1.84	1.89
	P20-P24	9061302	2.26	2.27
	P20-P32	9061303	2.93	2.52
	P24-P32	9061304	2.73	2.52

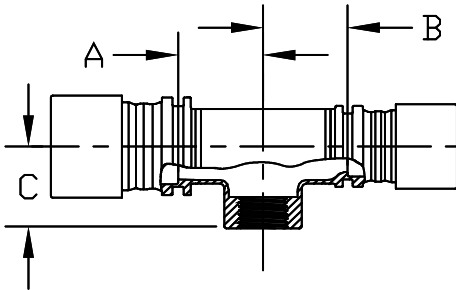
CN-200-RTEE-PXX-1/2" FPT



National Stock #	Fitting Size PXX-1/2 FPT	Piece Number	Take - Out, A	Take - Out, B
4730-01-419-0518	P08-1/2"	9061133	1.09	1.78
4730-01-417-8509	P12-1/2"	9060590	1.19	1.91
4730-01-417-8512	P16-1/2"	9061121	1.51	1.45
4730-01-417-6542	P20-1/2"	9060630	1.88	1.63
4730-01-417-6839	P24-1/2"	9060600	2.26	1.75
4730-01-417-8430	P32-1/2"	9060631	2.51	1.98

*Thread size 1/2-14 NPT

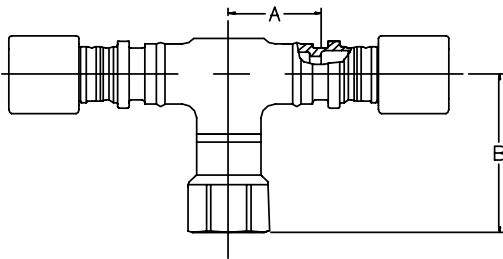
CN-200-RRTEE-PXX-YY-1/2" FPT



National Stock #	Fitting Size PXX-PYY-1/2" FPT	Piece Number	Take - Out, A	Take - Out, B	Take - Out, C
	P12-P08-1/2"	9061167	1.19	1.17	1.91
4730-01-417-8507	P16-P08-1/2"	9061122	1.51	1.69	1.45
4730-01-417-8508	P16-P12-1/2"	9060992	1.51	1.50	1.45
4730-01-417-8511	P20-P12-1/2"	9061160	1.88	2.11	1.63
4730-01-417-8510	P20-P16-1/2"	9061134	1.88	1.84	1.63
4730-01-417-6552	P24-P08-1/2"	9061135	2.26	2.98	1.75
4730-01-417-6621	P24-P12-1/2"	9060598	2.26	2.79	1.75
4730-01-417-6627	P24-P16-1/2"	9061119	2.26	2.80	1.75
4730-01-417-6635	P24-P20-1/2"	9060635	2.26	2.25	1.75
4730-01-417-9539	P32-P12-1/2"	9061164	2.51	3.36	1.98
4730-01-417-9540	P32-P16-1/2"	9061140	2.51	3.09	1.98
4730-01-417-9541	P32-P20-1/2"	9061166	2.51	2.92	1.98
4730-01-417-8309	P32-P24-1/2"	9060634	2.51	2.73	1.98

*Thread Size 1/2-14 NPT

CN-200-RTEE-PXX-YY SAE



National Stock #	Fitting Size PXX-YYSAE	Piece Number	Take - Out, A	Take - Out, B
	P04-0.375	9062398	0.98	1.69

Threaded end conforms to SAE J1926/1 (O-ring straight adaptor)