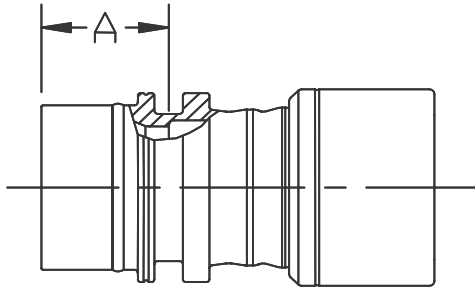
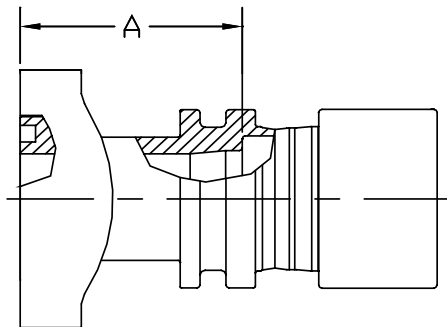


CN-700-CAP-PXX



National Stock #	Fitting Size PXX	Piece Number	Take - Out, A
	P04	9062242	0.67
	P06	9062243	0.77
	P08	9062244	0.77
	P12	9062245	0.77
	P16	9062246	0.80
	P20	9062247	0.85
	P24	9062248	0.85
	P32	9062249	0.92

CN-700-SAE61KIT-PXX



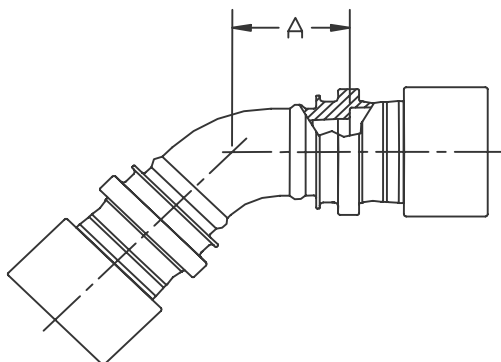
National Stock #	Fitting Size PXX	Piece Number	Take - Out, A
	P08	9062394	2.06
	P16	9062395	1.84

*Non LOKRING end conforms to SAE J518 code 61

Split flange, O-ring per SAE J120 and hardware included

Split flange is made from stainless steel

CN-700-EL45-PXX



National Stock #	Fitting Size PXX	Piece Number	Take - Out, A
	P08	9062550	1.12
	P12	9062551	1.11
	P16	9062230	1.13
	P20	9062231	1.35
	P24	9062232	1.63
	P32	9062233	1.98