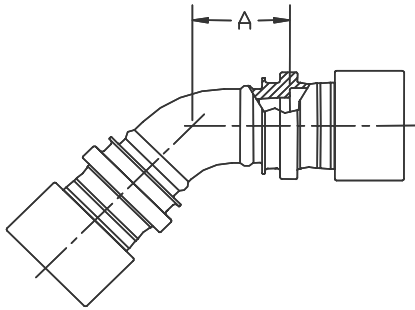
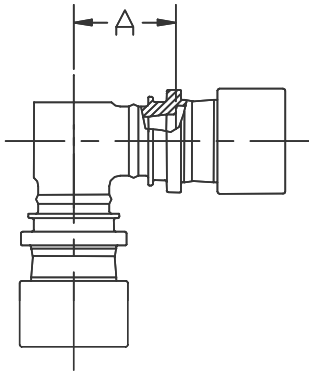


## CN-200-EL45-PXX



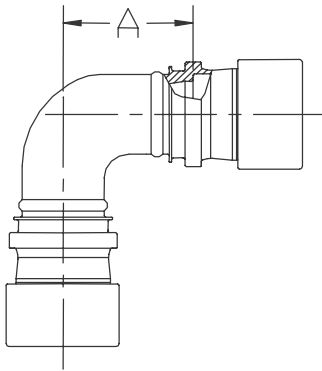
National Stock #	Fitting Size PXX	Piece Number	Take - Out, A
4730-01-382-9053	P04	9060947	0.91
4730-01-382-9055	P06	9060948	0.88
4730-01-382-9056	P08	9060949	1.14
4730-01-382-9057	P12	9060506	1.14
4730-01-382-9058	P16	9060446	1.13
4730-01-382-9059	P20	9060557	1.35
4730-01-382-9061	P24	9060550	1.63
4730-01-382-9063	P32	9060399	1.93

## CN-200-EL90-PXX (SR)



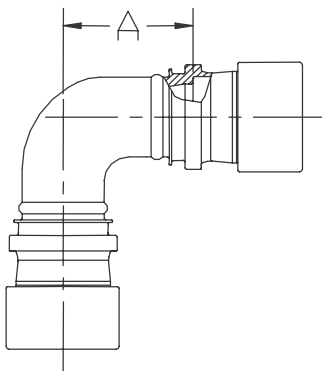
National Stock #	Fitting Size PXX	Piece Number	Take - Out, A
4730-01-364-3372	P04	9061151	0.99
4730-01-364-3373	P06	9061152	0.99

## CN-200-EL90-PXX (SR)



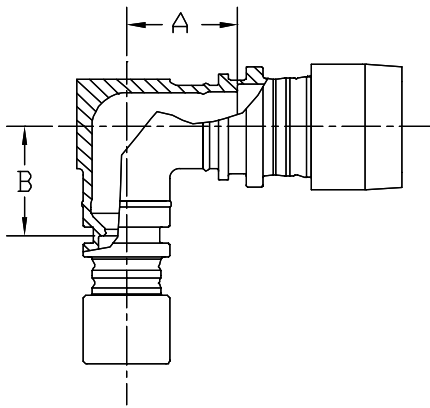
National Stock #	Fitting Size PXX	Piece Number	Take - Out, A
4730-01-364-3374	P08	9061154	1.92
4730-01-364-3375	P12	9061153	1.64
4730-01-382-9064	P16	9060447	1.51
4730-01-382-9065	P20	9060559	1.76
4730-01-382-9068	P24	9060552	2.01
4730-01-382-9069	P32	9060401	2.52

## CN-200-EL90-PXX (LR)



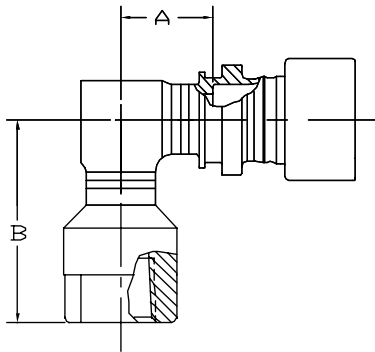
National Stock #	Fitting Size PXX	Piece Number	Take - Out, A
4730-01-364-6023	P16	9060445	2.01
4730-01-364-6024	P20	9060558	2.45
4730-01-364-6025	P24	9060551	2.95
4730-01-364-6026	P32	9060400	3.73

**CN-200-REL90-PXX-PYY**



National Stock #	Fitting Size PXX-PYY	Piece Number	Take - Out, A	Take - Out, B
	P08-P04	9061276	1.92	1.92
	P12-P08	9060549	1.08	1.15
	P16-P08	9061622	2.01	2.19
	P16-P12	9061619	2.01	2.00
	P20-P16	9061620	2.45	2.40
	P24-P16	9061805	2.95	3.49
	P32-P16	9061621	3.73	4.30
	P32-P20	9061801	3.73	4.14

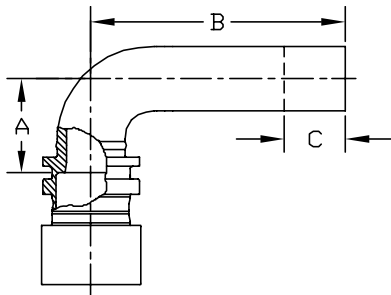
**CN-200-REL90-PXX-YY FPT**



National Stock #	Fitting Size PXX-YYFPT	Piece Number	Take - Out, A	Take - Out, B
	P08-1/2	9060651	1.92	2.62
	P12-1/2	9060645	1.08	1.85
	P16-1/2	9060620	2.01	2.32
	P20-1/2	9060636	1.10	0.94
	P24-1/2	9062189	1.10	0.95

\*Thread Size 1/2-14 NPT

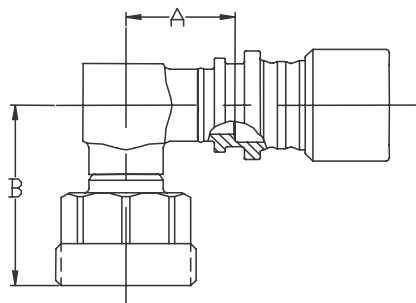
**CN-200-SEL90-PXX (Short & Long Rad.)**



National Stock #	Fitting Size PXX	Piece Number	Take - Out, A	Take - Out, B	C*
	P16 (SR)	9060658	1.51	10.14	7.00
	P16 (LR)	9060659	2.01	10.64	7.00
	P20 (LR)	9061411	2.45	11.03	6.40
	P24(SR)	9061137	2.01	10.59	6.00

\*C - Maximum cut on pipe end

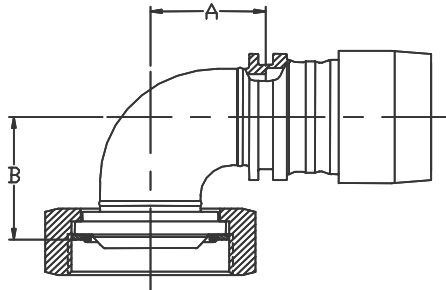
**CN-200-EL90UTH-PXX**



National Stock #	Fitting Size PXX	Piece Number	Take - Out, A	Take - Out, B
	P04	9062344	0.99	1.57
	P06	9062343	0.99	1.69
	P08	9062342	1.92	2.65
	P12	9062341	1.64	2.45
	P16	9062340	1.51	2.39
	P20	9062339	1.76	2.74
	P24	9062338	2.01	3.09
	P32	9062337	2.51	3.63

\*Thread and seal face per MIL-F-1183

## CN-200-EL90UTAIL-PXX

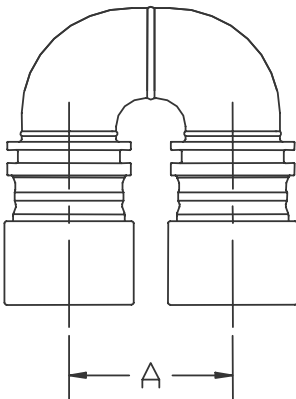


National Stock #	Fitting Size PXX	Piece Number	Take - Out, A	Take - Out, B
	P04	9062374	0.99	1.30
	P06	9062373	0.99	1.34
	P08	9062372	1.92	2.28
	P12	9062371	1.64	2.00
	P16	9062370	1.51	1.67
	P20	9062369	1.76	2.00
	P24	9062368	2.01	2.28
	P32	9062367	2.51	2.80

\*Nut & seal face per MIL-F-1183

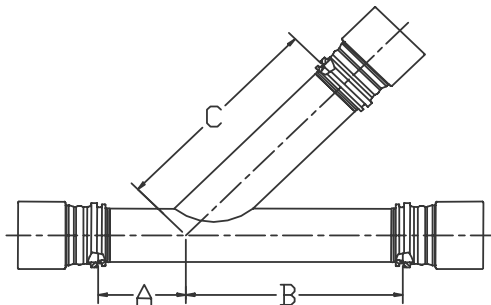
\*Complete with Backup Washer and O-ring

## CN-200-EL180-PXX



National Stock #	Fitting Size PXX	Piece Number	Take - Out, A
	P16	9061806	2.28

## CN-200-LAT 45-PXX



Fitting Size PXX	Piece Number	Take - Out, A	Take - Out, B	Take - Out, C
P32	9061818	3.73	9.25	9.48